



ANDMAX D.O.O.

Telefon +381 69 156 12 98
Email petarkornatovski@gmail.com
Adresa Ivana Kocija 3 Novi Sad, Srbija

CBN tocilo 12A2-45

Tabela sa Granulacijom

Namena	Standard Ukrajine ГОСТ 3292-95, мкм	Standard Evrope FEPA
Fino brušenje, poliranje	5/3	M 4.0
	7/5	M 6.3
	10/7	M 10
	14/10	M 16
	20/14	M 16
	28/20	M25
	40/28	M 40
	60/40	M 63
Fino brušenje	50/40	D 46
	63/50	D 54
		D 64
	80/63	D 76
Brušenje	100/80	D 91
	125/100	D 107
		D 126
Grubo brušenje		D 151
	160/125	D 181
	200/160	D 213
	250/200	D 251
	315/250	D 301
400/315	D 426	

Skica

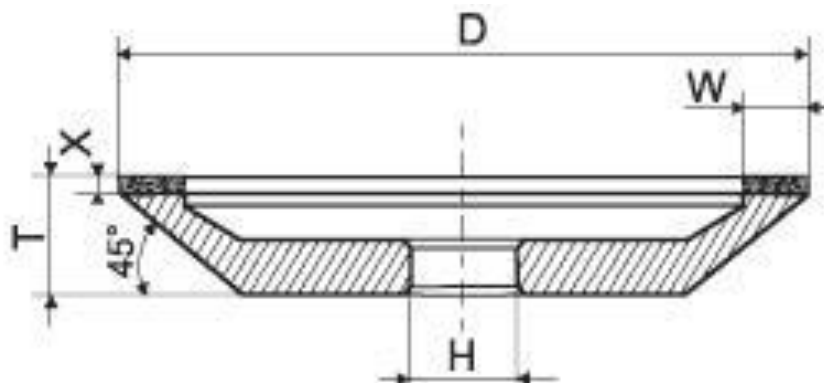


Tabela dimenzija

D (mm)	T (mm)	W (mm)	X (mm)	H (mm)	Karatnost
50	21	3	3	16	5,80
75	21	6	3	16	17,2
100	32	3	3	20	12,0
100	32	5	3	20	19,7
100	32	10	3	20	37,0
125	40	3	3	32	15,2
125	40	5	3	32	24,9
125	42	5	5	32	41,0
125	25	10	2	20	32,0
125	40	10	3	32	48,0
150	40	5	3	32	30,0
150	26	6	3	32	36,0
150	40	10	3	32	58,0
150	42	10	5	32	97,0
150	40	20	3	32	108,0
150	42	20	5	32	180,0
150	42	40	5	32	304,0
200	50	10	3	51	79,0
200	50	20	3	51	149,0

* Mogu se poručivati i u drugim dimenzijama.